



THE WILLIAMS
BROTHERS
CORPORATION

C-999 10LB OUTDOOR CLASSIC SERIES CABINET

The WB Classic Series Cabinets are an economical and practical choice of cabinet. Their sturdy construction out of 18-gauge galvanized steel makes them ideal for installation in parking garages, warehouses, construction sites, high vandalism and theft areas. Cabinets always remain lock and allow emergency access through breaking the score acrylic.

C-999



FEATURES

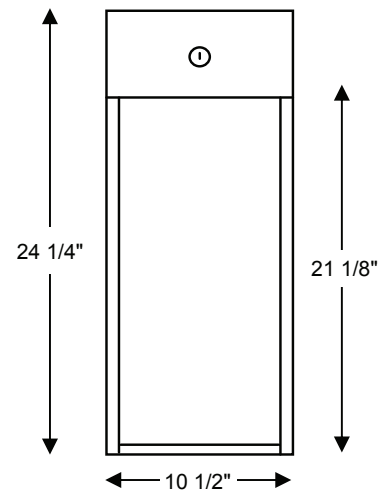
Door & Tub	18 ga Galvanneal Steel
Finish	Powder Coat White
Mount	Surface
Includes	<ul style="list-style-type: none"> • UV Resistant Emergency Decal • Keyed alike cylinder lock with (2) keys • Scored Acrylic (21 3/4" x 10 3/8") • Breaker Bar and Chain
Packaging	Individually boxed
Options	<ul style="list-style-type: none"> • Powder coat red • 304 Stainless Steel with #4 Finish • Recessing Frame with 1/2" TB on trim

Model No.	Description	Size (w x h x d)	Weight (lbs)
C-999	10 LB. Dry Chemical Fire Extinguisher Cabinet	10 1/2" x 24 1/4" x 6 1/2"	9

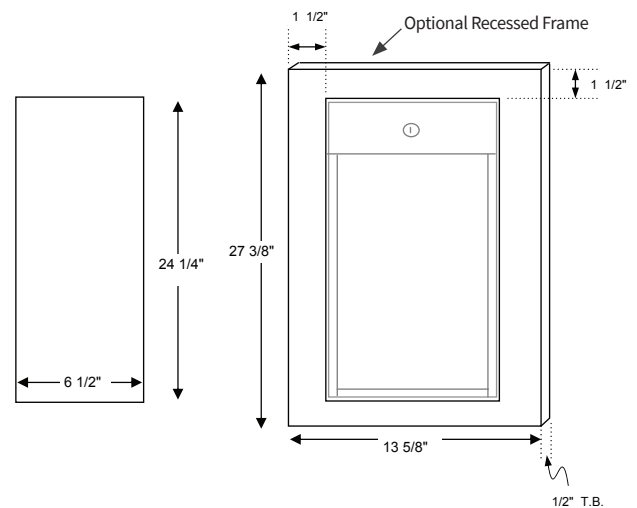


Optional Recessed Frame

DIMENSIONS



Front



Side