



C-104 20LB OUTDOOR CLASSIC SERIES CABINET

The WB Classic Series Cabinets are an economical and practical choice of cabinet. Their sturdy construction out of 18-gauge galvanized steel makes them ideal for installation in parking garages, warehouses, construction sites, high vandalism and theft areas. Cabinets always remain lock and allow emergency access through breaking the score acrylic.

C-104

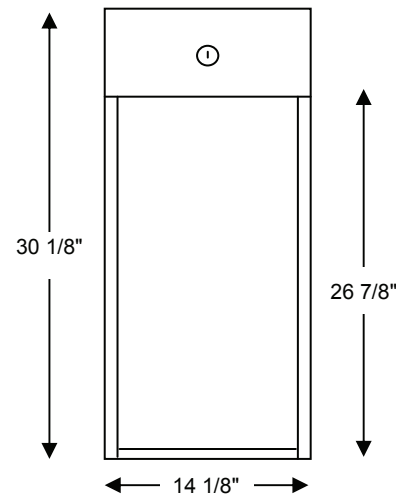


FEATURES

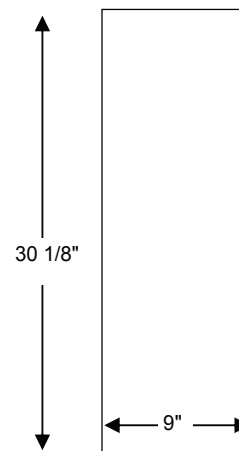
| | |
|-----------------------|--|
| Door & Tub | 18 ga Galvanneal Steel |
| Finish | Powder Coat White |
| Mount | Surface |
| Includes | <ul style="list-style-type: none"> • UV Resistant Emergency Decal • Keyed alike cylinder lock with (2) keys • Scored Acrylic (27 1/2"h x 13 7/8"w) • Breaker Bar and Chain |
| Packaging | Individually boxed |
| Options | <ul style="list-style-type: none"> • Powder coat red • 304 Stainless Steel with #4 Finish |

| Model No. | Description | Size (w x h x d) | Weight (lbs) |
|-----------|---|------------------------|--------------|
| C-104 | 20 LB. Dry Chemical Fire Extinguisher Cabinet | 14 1/8" x 30 1/8" x 9" | 9 |

DIMENSIONS



Front



Side