



THE WILLIAMS
BROTHERS
CORPORATION

WB-T-BAR CEILING ACCESS DOOR

The WB-T-Bar Ceiling Access Door is a light weight aluminum door that simply drops into a t-bar ceiling with ease.

Included with each door are mounting screws for a safe and secure ceiling installation.



WB-T-BAR

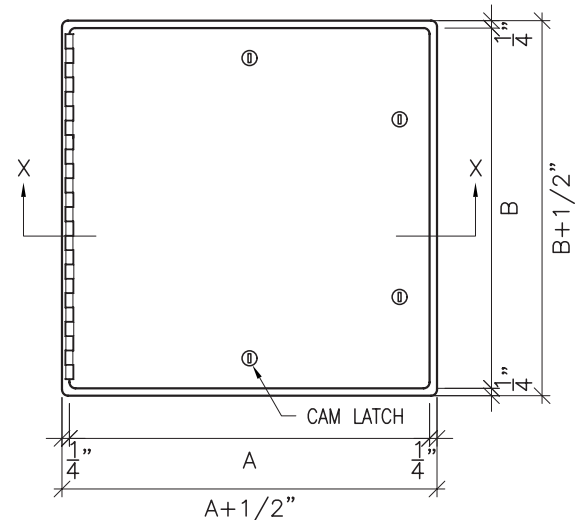
FEATURES

Door	.063 aluminum
Hinge	Continuous piano hinge
Latches	Flush stainless steel cam
Finish	Powder coat white
Options (at extra cost)	Key cylinder lock with key (code 151)

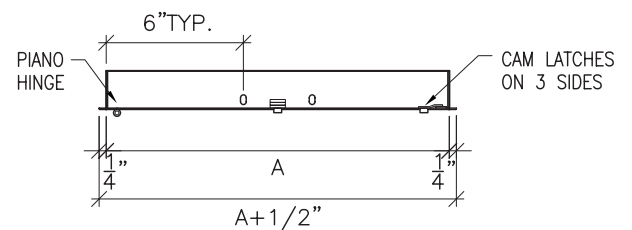
Model No.	A x B Door Size	Ceiling Opening	Cam Latch	Shipping Weight (lbs)
WB-T-BAR 24 x 24	24" x 24"	23 3/4" x 23 3/4"	4	6
WB-T-BAR 24 x 48	24" x 48"	23 3/4" x 47 3/4"	6	11



DIMENSIONS



Elevation



Section Detail