



WB-AP ACOUSTICAL PLASTER ACCESS DOOR

The WB-AP Acoustical Plaster Access Door is a precision door that provides a virtually concealed installation, keeping acoustical surfaces intact while contributing to sound control and better appearance. Door panels are recessed to receive plaster up to 5/8" thick.

Plaster covering the door finishes flush with the surrounding field, leaving only the narrow frame edges exposed. The metal sides of the recessed door panel prevent damage to the edges of the plaster. This door operates on a continuous stainless steel piano hinge, located at the outside edge so that the door may be opened fully to 180 degrees.

FEATURES

Door	16 ga. cold rolled steel. Door is recessed 5/8" and lined with expanded metal lath
Box Return Frame	16 ga. steel with 24 ga. plaster mesh galvanized casing bead and expanded metal lath surrounding door
Hinge	Full length piano hinge opens 180°, will be placed on long side of door unless otherwise requested
Latch	Flush, stainless steel cam operated with screwdriver
Finish	White powder coat paintable finish
Options (at extra cost)	Medium barrel cylinder lock

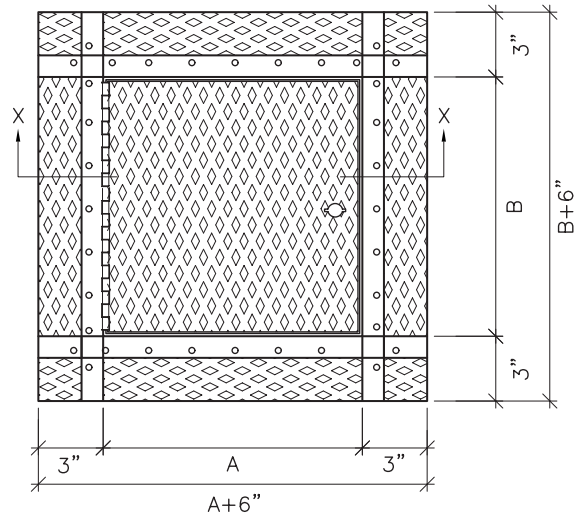
Model No.	A x B Door Size	Hinges	Cam Latch	Shipping Weight (lbs) Steel/Stainless
WB-AP 12x12	12" x 12"	1	1	10
WB-AP 12x24	12" x 24"	1	2	13
WB-AP 18x18	18" x 18"	1	3	15
WB-AP 24x24	24" x 24"	1	4	28
WB-AP 24x36	24" x 36"	1	5	37

Rough wall opening = door size + 1/4"

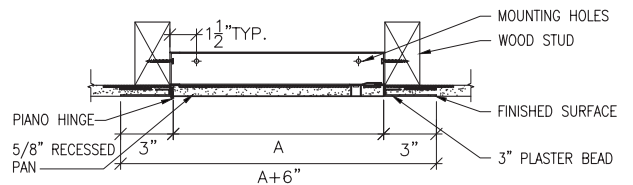


WB-AP

DIMENSIONS



Elevation



Section Detail