



WB-PL PLASTER ACCESS DOOR

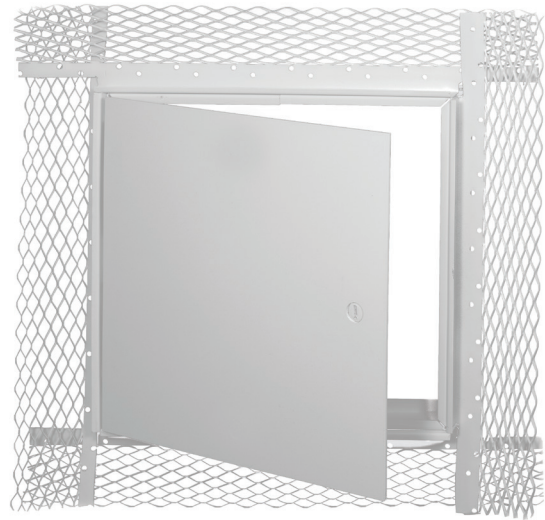
The WB-PL Plaster Access Door is a flush door designed for wall and ceiling application, featuring a tape-in plaster bead. This allows for plaster mud to be applied to the flange concealing it. The 1/4" safety edge gives the door a strong frame and prevents the plaster from being chipped under normal use.

FEATURES

Door and Trim	16 ga. cold rolled steel
Box Return Frame	16 ga. steel. 3" wide plaster mesh flange of 24 ga. galvanized material. Space from the expanded flange to the 1/4" safety edge of the door will accommodate 1" of plaster.
Hinge	Fully-concealed off-set hinge up to and including 24"x24". Number of hinges varies with size of the door and will be placed on long side of door unless otherwise specified. Doors larger than 24"x24" have full length piano hinge.
Latch	Flush, stainless steel cam operated with screwdriver. Latches are positioned opposite hinge as well as top and bottom on larger sizes.
Finish	White powder coat paintable finish
Options (at extra cost)	<ul style="list-style-type: none"> • Key cylinder lock with key (code 151) • Air-tight Neoprene Gasketing • Stainless steel finish #304 or #316 (#4 satin finish)

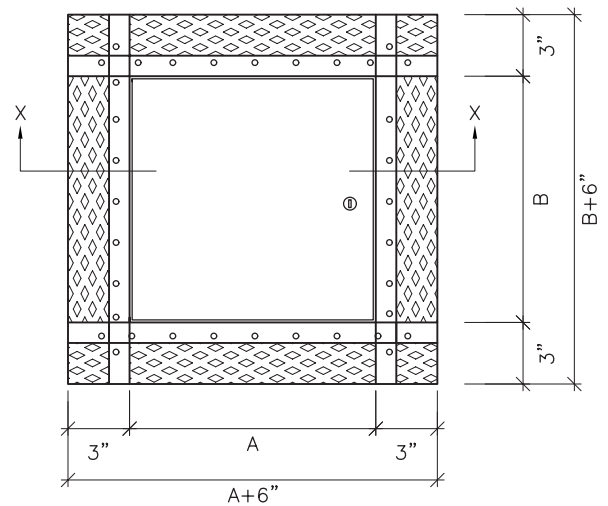
Model No.	A x B Door Size	Hinges	Cam Latch	Shipping Weight (lbs) Steel/Stainless
WB-PL 8x8	8" x 8"	1	1	4
WB-PL 8x12	8" x 12"	2	1	6
WB-PL 10x10	10" x 10"	1	1	5
WB-PL 12x12	12" x 12"	2	1	7
WB-PL 12x16	12" x 16"	2	3	8
WB-PL 12x18	12" x 18"	2	3	8
WB-PL 14x14	14" x 14"	2	3	10
WB-PL 16x16	16" x 16"	2	3	12
WB-PL 16x20	16" x 20"	2	3	15
WB-PL 18x18	18" x 18"	2	3	13
WB-PL 20x24	20" x 24"	3	4	17
WB-PL 22x22	22" x 22"	3	4	19
WB-PL 24x24	24" x 24"	3	4	20
WB-PL 24x30	24" x 30"	PH	4	24
WB-PL 24x36	24" x 36"	PH	5	30

Rough wall opening = door size + 1/4"
PH = Full length piano hinge

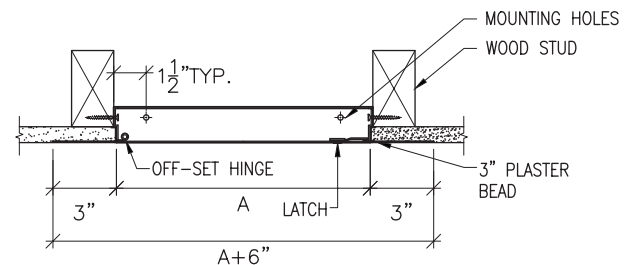


WB-PL

DIMENSIONS



Elevation



Section Detail