

WB-BASIC ACCESS DOOR

The WB-Basic Access Door is a cost-effective solution, perfect for bidding on any project. This door is manufactured from satin-coat galvanized steel, powder coat white and available in a range of popular sizes, ready for installation. It is easily installed using prelocated mounting holes.

FEATURES

Door and Trim	18 ga. satin coat galvanized steel
Return Frame	18 ga. satin coat galvanized steel
Hinge	Pin hinge top and bottom. Allows opening to 165°. Piano hinge on doors larger than 24" x 24"
Latch	Flush, stainless steel cam operated with screwdriver. Latches are positioned opposite hinge as well as top and bottom on larger sizes.
Finish	White powder coat paintable finish
Options (at extra cost)	<ul style="list-style-type: none"> Key cylinder lock with key (code 151) Stainless Steel #304 or #316 (#4 satin finish)

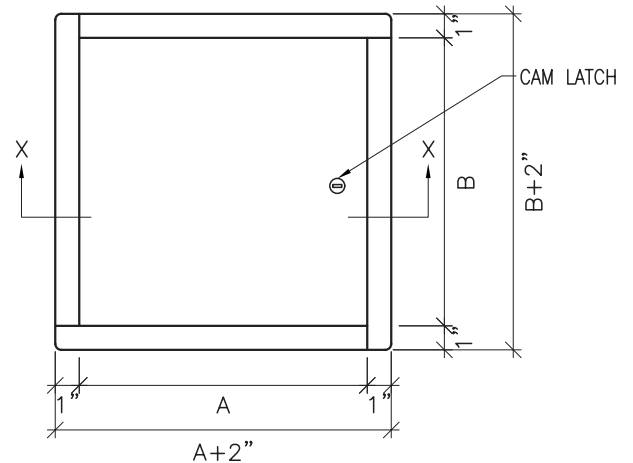
Model No.	A x B Door Size	Cam Latch	Shipping Weight (lbs) Steel/Stainless
WB-Basic 6x6	6" x 6"	1	2
WB-Basic 8x8	8" x 8"	1	3
WB-Basic 10x10	10" x 10"	1	4
WB-Basic 12x12	12" x 12"	1	5
WB-Basic 14x14	14" x 14"	3	6
WB-Basic 16x16	16" x 16"	3	8
WB-Basic 18x18	18" x 18"	3	11
WB-Basic 22x22	22" x 22"	4	15
WB-Basic 24x24	24" x 24"	4	17
WB-Basic 24x36	24" x 36"	5	16
WB-Basic 24x48	24" x 48"	6	23
WB-Basic 30x30	30" x 30"	6	19

Rough wall opening = door size + 1/4"

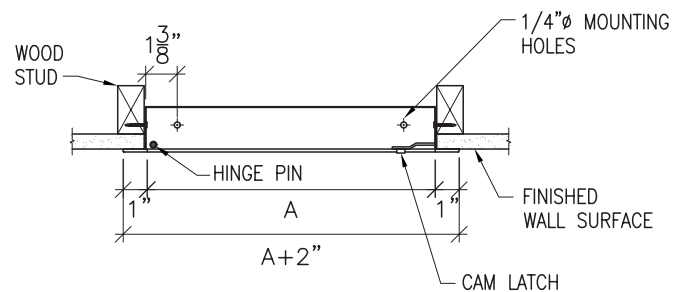


WB-BASIC

DIMENSIONS



Elevation



Section Detail