



WB-RDW RECESSED DRYWALL ACCESS DOOR

The WB-RDW Recessed Drywall Access Door features a 5/8" recessed pan that gives the option of installing a matching piece of drywall into the door panel, keeping the continuity of the visual area. The outdoor frame has a tape-in flange so that the unit may be cemented in place at the time of installation.

FEATURES

Door and Trim	16 ga. cold rolled steel. Door is recessed 5/8" to accept drywall.
Frame	16 ga. cold rolled steel. 1" wide perforated 24 ga. galvanized steel for mounting purposes.
Hinge	Fully concealed rod type hinge, will be placed on long side of door unless otherwise requested.
Latch	Flush, stainless steel cam operated with screwdriver. Latches are positioned opposite hinge as well as top and bottom on larger sizes.
Finish	White powder coat paintable finish
Options (at extra cost)	<ul style="list-style-type: none"> • Medium barrel cylinder lock • Drywall with door • Air-tight Neoprene Gasketing

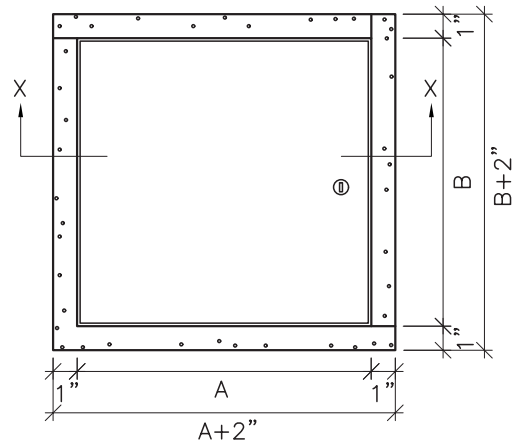
Model No.	A x B Door Size	Hinges	Cam Latch	Shipping Weight (lbs) Steel/Stainless
WB-RDW 12x12	12" x 12"	1	1	6
WB-RDW 12x24	12" x 24"	1	4	13
WB-RDW 16x16	16" x 16"	1	3	12
WB-RDW 18x18	18" x 18"	1	3	13
WB-RDW 24x24	24" x 24"	1	4	21
WB-RDW 24x36	24" x 36"	1	5	32

Rough wall opening = door size + 1/4"

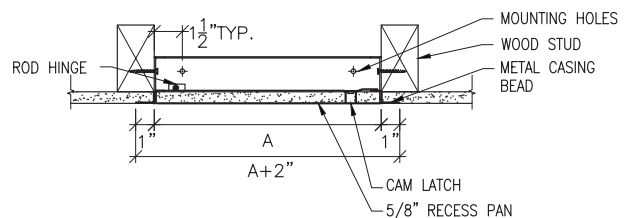


WB-RDW

DIMENSIONS



Elevation



Section Detail