



## WB-DW DRYWALL ACCESS DOOR

The WB-DW Drywall Access Door has the same quality features as the WB-GP Premium with a tape-in drywall flange. This is designed to eliminate visual distraction, by allowing drywall cement to be applied to cover the flange at the time of installation.

### FEATURES

<b>Door and Trim</b>	16 ga. cold rolled steel door with 1" drywall bead and 24 ga. galvanized steel trim for mounting purposes
<b>Frame</b>	16 ga. cold rolled steel
<b>Hinge</b>	Fully-concealed off-set hinge up to and including 24"x24". Number of hinges varies with size of the door and will be placed on long side of door unless otherwise specified. Doors larger than 24"x24" have full length piano hinge.
<b>Latch</b>	Flush, stainless steel cam operated with screwdriver. Latches are positioned opposite hinge as well as top and bottom on larger sizes.
<b>Finish</b>	White powder coat paintable finish
<b>Options</b> (at extra cost)	<ul style="list-style-type: none"> <li>• Key cylinder lock with key (code 151)</li> <li>• Air-tight Neoprene Gasketing</li> <li>• Stainless steel finish #304 or #316 (#4 satin finish)</li> </ul>

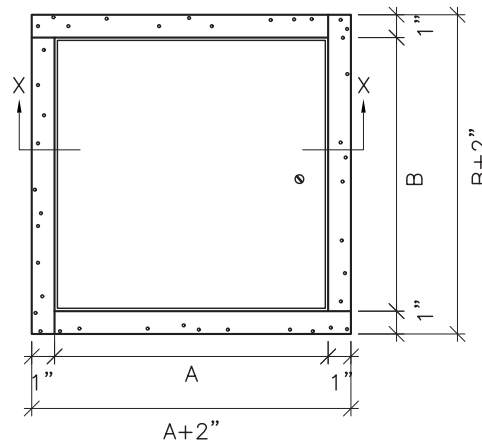
Model No.	A x B Door Size	Hinges	Cam Latch	Shipping Weight (lbs) Steel/Stainless
WB-DW 8x8	8" x 8"	1	1	3
WB-DW 10x10	10" x 10"	1	1	5
WB-DW 12x12	12" x 12"	1	3	7
WB-DW 12x24	12" x 24"	3	2	12
WB-DW 14x14	14" x 14"	2	3	9
WB-DW 16x16	16" x 16"	2	3	11
WB-DW 18x18	18" x 18"	2	3	12
WB-DW 22x22	22" x 22"	3	4	18
WB-DW 22x30	22" x 30"	PH	4	24
WB-DW 22x36	22" x 36"	PH	5	27
WB-DW 24x24	24" x 24"	3	4	20
WB-DW 24x36	24" x 36"	PH	5	27
WB-DW 24x48	24" x 48"	PH	6	37
WB-DW 30x30	30" x 30"	PH	6	29
WB-DW 30x36	30" x 36"	PH	7	31
WB-DW 36x36	36" x 36"	PH	9	42

Rough wall opening = door size + 1/4"  
PH = Full length piano hinge

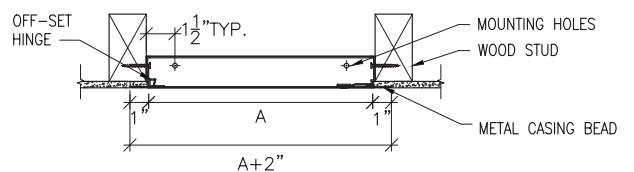


WB-DW

### DIMENSIONS



Elevation



Section Detail