



## WB-FR STANDARD PLASTER FIRE RATED ACCESS DOOR

The WB-FR Standard Plaster Fire Rated Access Door features a plaster bead trim for use in plaster walls and ceilings. It can accommodate up to 3/4" of plaster. Designed for both wall and ceiling application. For walls, this door has an Underwriters Laboratories (UL and ULC), 1-1/2 hour "B" label, with a maximum temperature rise of 250 degrees Celsius after 30 minutes for vertical wall installations. File# R10364. Warnock Hersey International; Pittsburgh, CA 1 hr rating for combustible floor/ceiling applications. Report. # WHI-495-PSH-0191. Warnock Hersey International, Pittsburgh, CA 3 Hr. rating for non-combustible floor/ceiling assembly, Report# WHI-495-PSH-0192. This door may be used in a 2-hour fire rated wall assembly. For fire rated ceilings, this door has been approved by Warnock Hersey International for 3 hours (\*max. size to 24" x 36").

### FEATURES

<b>Door and Trim</b>	18 ga. cold rolled steel
<b>Box Return Frame</b>	16 ga. cold rolled steel. 3" wide perforated plaster flange of 24 ga. galvanized material. Space from the plaster mesh flange to the 1/4" safety edge of the door will accommodate 1" of plaster mud.
<b>Insulation</b>	2" thick mineral wool contained within door cavity
<b>Hinge</b>	Fully concealed rod hinge. Allows opening to 170°.
<b>Latch</b>	Self-latching direct action latch, opposite hinge. Accepts both key and knurled knob, included with each door.
<b>Automatic Panel Closer</b>	Standard on all doors
<b>Inside Panel Release</b>	Standard on all doors
<b>Finish</b>	White powder coat paintable finish
<b>Masonry Anchor Straps</b>	Standard on all doors
<b>Options</b> (at extra cost)	<ul style="list-style-type: none"> <li>• Mortise lock preparation</li> <li>• Ultra lock with key (code 151)</li> <li>• Stainless steel #304 and #316 (#4 satin finish)</li> <li>• Pemko hot smoke seal gasketing</li> <li>• Custom sizes available</li> </ul>
<b>Ceiling Installation</b>	To comply with current fire regulations, largest size acceptable is 24" x 36"

Model No.	A x B Door Size	Hinges	Slam Catch	Shipping Weight (lbs)
WB-FR PL 12x12	12" x 12"	1	1	12
WB-FR PL 14x14	14" x 14"	1	1	15
WB-FR PL 16x16	16" x 16"	1	1	18
WB-FR PL 18x18	18" x 18"	1	1	21
WB-FR PL 24x24	24" x 24"	1	1	32
WB-FR PL 24x36	24" x 36"	1	2	46

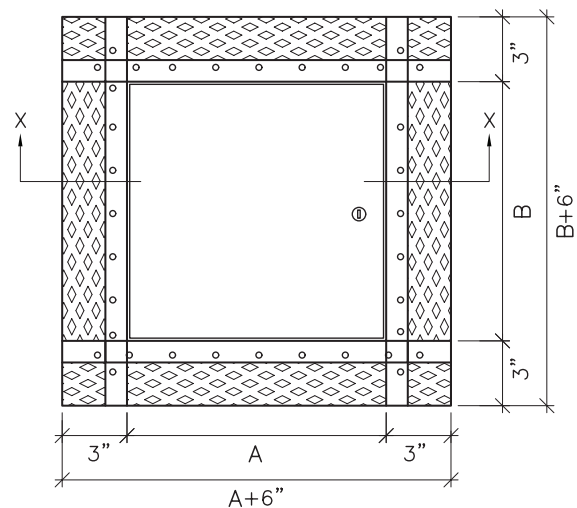
Rough wall opening = door size + 1/4"



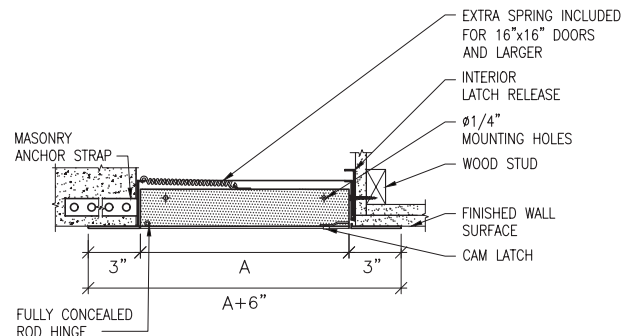
WB-FR PL



### DIMENSIONS



Elevation



Section Detail