



**THE WILLIAMS  
BROTHERS  
CORPORATION**

## WB-FR STANDARD DRYWALL FIRE RATED ACCESS DOOR

The WB-FR Standard Drywall Fire Rated Access Door features a tape-in flange which allows for a trimless appearance to eliminate visual distraction without compromising the fire rating. Designed for both wall and ceiling application. For walls, this door has an Underwriters Laboratories (UL and ULC), 1-1/2 hour "B" label, with a maximum temperature rise of 250 degrees Celsius after 30 minutes for vertical wall installations. File# R10364. Warnock Hersey International; Pittsburgh, CA 1 hr rating for combustibile floor/ceiling applications. Report. # WHI-495-PSH-0191. Warnock Hersey International, Pittsburgh, CA 3 Hr. rating for non-combustible floor/ceiling assembly, Report# WHI-495-PSH-0192. This door may be used in a 2-hour fire rated wall assembly. For fire rated ceilings, this door has been approved by Warnock Hersey International for 3 hours (\*max. size to 24" x 36").

### FEATURES

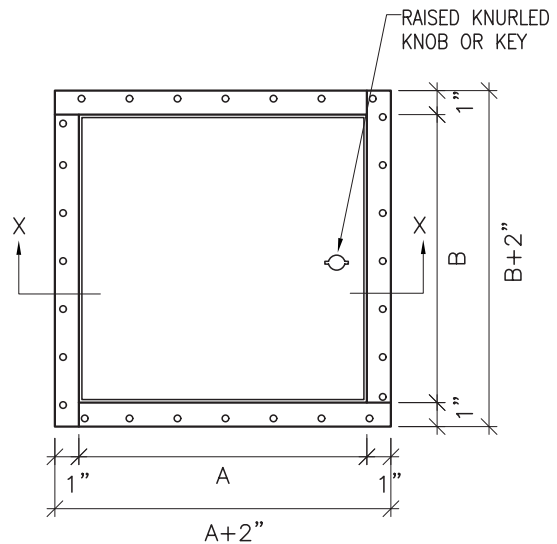
<b>Door And Trim</b>	18 ga. cold rolled steel
<b>Box Return Frame</b>	16 ga. cold rolled steel, 1" wide perforated flange of 24 ga. galvanized drywall bead
<b>Insulation</b>	2" thick mineral wool contained within door cavity
<b>Hinge</b>	Fully concealed rod hinge. Allows opening to 170°.
<b>Latch</b>	Self-latching direct action latch, opposite hinge. Accepts both key and knurled knob, included with each door.
<b>Automatic Panel Closer</b>	Standard on all doors
<b>Inside Panel Release</b>	Standard on all doors
<b>Finish</b>	White powder coat paintable finish
<b>Masonry Anchor Straps</b>	Standard on all doors
<b>Options</b> (at extra cost)	<ul style="list-style-type: none"> <li>• Mortise lock preparation</li> <li>• Ultra lock with key (code 151)</li> <li>• Stainless steel #304 and #316 (#4 satin finish)</li> <li>• Pemko hot smoke seal gasketing</li> <li>• Custom sizes available</li> </ul>
<b>Ceiling Installation</b>	To comply with current fire regulations, largest size acceptable is 24" x 36"

Model No.	A x B Door Size	Slam Catch	Hinges	Shipping Weight (lbs) Steel/Stainless
WB-FR DW 12x12	12" x 12"	1	1	12
WB-FR DW 14x14	14" x 14"	1	1	15
WB-FR DW 16x16	16" x 16"	1	1	18
WB-FR DW 18x18	18" x 18"	1	1	21
WB-FR DW 24x24	24" x 24"	1	1	32
WB-FR DW 24x36	24" x 36"	2	1	46

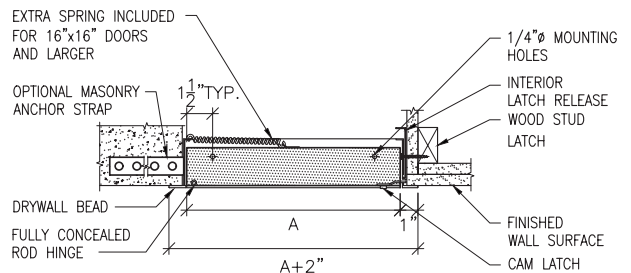


WB-FR DW

### DIMENSIONS



Elevation



Section Detail

Rough wall opening = door size + 1/4"

Note: For fire-rated ceiling access doors, on size 16" x 16" and larger, extra spring supplied with door must be attached from back of door pan to framing or floor above. In horizontal (ceiling) applications door has self-assisted closing.