



**THE WILLIAMS
BROTHERS
CORPORATION**

WB-FR STANDARD FIRE RATED ACCESS DOOR

The WB-FR Standard Fire Rated Access Door is designed for both wall and ceiling applications. For walls, this door has an Underwriters Laboratories (UL and ULC), 1-1/2 hour "B" label, with a maximum temperature rise of 250 degrees Celsius after 30 minutes for vertical wall installations. File # R10364. Warnock Hersey International; Pittsburgh, CA 1 hr rating for combustible floor/ceiling applications. Report. # WHI-495-PSH-0191. Warnock Hersey International, Pittsburgh, CA 3 Hr. rating for non-combustible floor/ceiling assembly, Report # WHI-495-PSH-0192. This door may be used in a 2-hour fire rated wall assembly. For fire rated ceilings, this door has been approved by Warnock Hersey International for 3 hours (*max. size to 24" x 36").

FEATURES

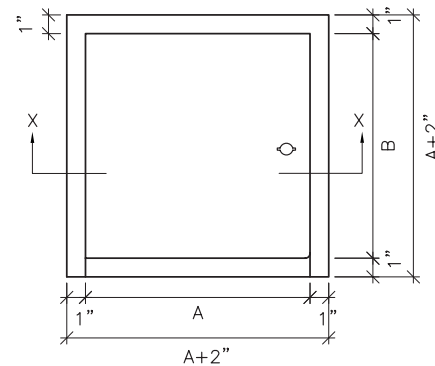
Door and Trim	18 ga. cold rolled steel
Box Return Frame	16 ga. cold rolled steel
Insulation	2" thick mineral wool contained within door cavity
Hinge	Fully concealed rod type hinge. Allows opening to 170°.
Latch	Self-latching direct-action latch, opposite hinge. Accepts both key and knurled knob, included with each door.
Automatic Panel Closer	Standard on all doors
Inside Panel Release	Standard on all doors
Finish	White powder coat paintable finish
Masonry Anchor Straps	Standard on all doors
Options (at extra cost)	<ul style="list-style-type: none"> Mortise lock preparation Stainless steel #304 and #316 (#4 satin finish) Pemko hot smoke seal gasketing Custom sizes available
Ceiling Installation	To comply with current fire regulations, largest size acceptable is 24" x 36"

Model No.	A x B Door Size	Slam Catch	Hinges	Shipping Weight (lbs) Steel/Stainless
WB-FRS 8x8	8" x 8"	1	1	7
WB-FRS 10x10	10" x 10"	1	1	10
WB-FRS 12x12	12" x 12"	1	1	11
WB-FRS 12x18	12" x 18"	1	1	19
WB-FRS 12x24	12" x 24"	1	1	18
WB-FRS 14x14	14" x 14"	1	1	15
WB-FRS 16x16	16" x 16"	1	1	18
WB-FRS 18x18	18" x 18"	1	1	21
WB-FRS 18x24	18" x 24"	1	1	26
WB-FRS 20x20	20" x 20"	1	1	26
WB-FRS 20x30	20" x 30"	2	1	38
WB-FRS 21x36	21" x 36"	2	1	43
WB-FRS 22x22	22" x 22"	1	1	29
WB-FRS 22x24	22" x 24"	1	1	30
WB-FRS 22x30	22" x 30"	2	1	37

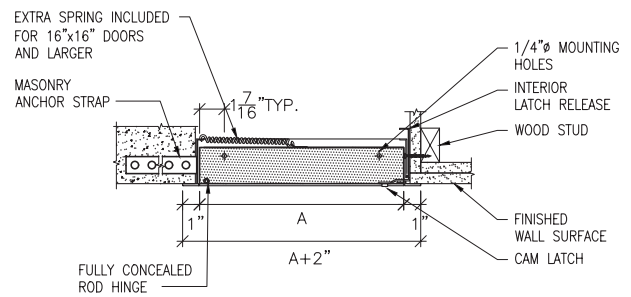


WB-FR S

DIMENSIONS



Elevation



Section Detail

Model No.	A x B Door Size	Slam Catch	Hinges	Shipping Weight (lbs) Steel/Stainless
WB-FRS 22x36	22" x 36"	2	1	43
WB-FRS 24x24	24" x 24"	1	1	31
WB-FRS 24x30	24" x 30"	2	1	40
WB-FRS 24x36	24" x 36"	2	1	46
WB-FRS 24x48	24" x 48"	2	1	62
WB-FRS 30x30	30" x 30"	2	1	50
WB-FRS 32x32	32" x 32"	2	1	54
WB-FRS 36x36	36" x 36"	2	1	67
WB-FRS 36x48	36" x 48"	2	1	83
WB-FRS 48x48	48" x 48"	2	1	104

Rough wall opening = door size + 1/4"

Note: For fire-rated ceiling access doors, on size 16" x 16" and larger, extra spring supplied with door must be attached from back of door pan to framing or floor above. In horizontal (ceiling) applications door has self-assisted closing.