



WB-NT NO TRIM ACCESS DOOR

The WB-NT No Trim Access Door features a seamless look. An attractive beveled edge door and micro-rounded corners make this an architect favorite. The door features an off-set hinge that allows it to open 180 degrees, while completely hiding the frame from view.

FEATURES

Door and Trim	16 ga. cold rolled steel
Return Frame	18 ga. cold rolled steel
Hinge	Fully concealed off-set hinge
Latch	Flush, stainless steel cam
Finish	White powder coat paintable finish
Options (at extra cost)	<ul style="list-style-type: none"> • Tamper Proof Cam Hex, Torx Pin Screw Assembly • Key cylinder lock with key (code 151) • Mortise Lock Preparation • Stainless Steel #304 or #316 (#4 satin finish)

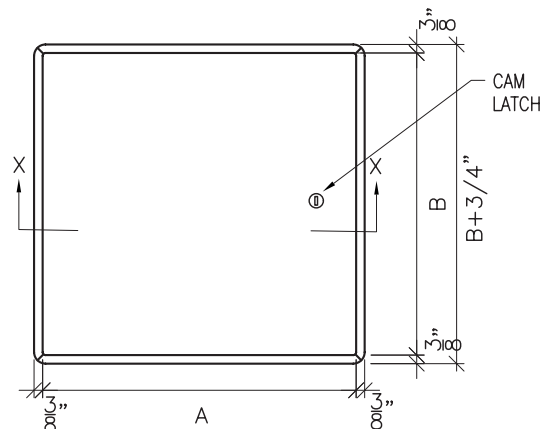
Model No.	A x B Door Size	Cam Latch	Shipping Weight (lbs) Steel/Stainless
WB-NT 8x8	8" x 8"	1	3
WB-NT 10x10	10" x 10"	1	4
WB-NT 12x12	12" x 12"	1	6
WB-NT 14x14	14" x 14"	1	7
WB-NT 16x16	16" x 16"	1	9
WB-NT 18x18	18" x 18"	3	10
WB-NT 20x20	20" x 20"	3	13
WB-NT 22x22	22" x 22"	4	15
WB-NT 24x24	24" x 24"	4	17

Rough wall opening = door size + 1/4"

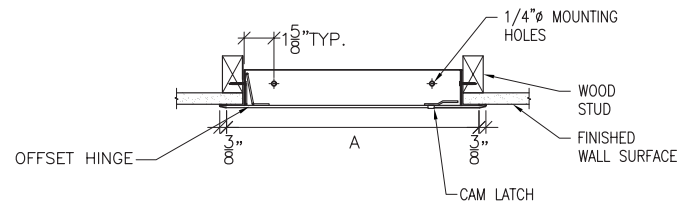


WB-NT

DIMENSIONS



Elevation



Section Detail